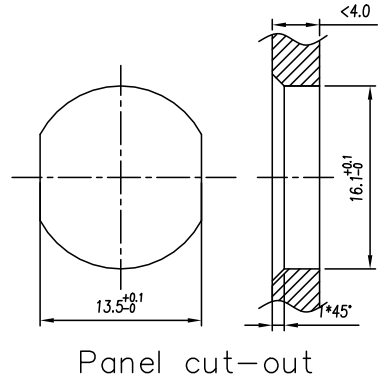


REVISION RECORD				
REV.	DESCRIPTION	ECN No.	APPROVED	DATE

IEC 技术参数 IEC Technical Data		IEC61076-2-101	
工作温度 Operating temperatur [°C]	-25~+80	防护等级 IP Class (IN Locked condition)	IP67
额定电压 Rated Voltage [V]		额定电流 Rated Current [A]	
导线截面积 Conductor cross section 硬质/柔性导线 Solid/ flexible [mm <sup>2</sup> ]		接线范围 Wire Range 单/多芯线 Solid/Stranded [AWG]	
材料 Material		绝缘材料 Insulation Material	PA 66
		阻燃等级 Imflammability	UL94V-0
		导体材料 Contactor Material	铜合金 Copper alloy
		导体镀层 Contactive Coating	镀金 Gold Plated
螺母/螺丝 Connector Nut/Screw		Brass With Nickel Plated 铜镀镍	
符合RoHS环保要求			



Contacts Pin 数	3Pin	4Pin	5Pin	8Pin	12Pin	17Pin
A-Coding						
Rated Current 额定电流	4A	4A	4A	2A	1.5A	1.5A
Rated Voltage 额定电压	250V	250V	60V	30V	30V	30V
Wire Range 线范围	22AWG	22AWG	22AWG	24AWG	26AWG	26AWG
PART NO. 品名:	M12-A03P-ST0-F02-BQ1	M12-A04P-ST0-F02-BQ1	M12-A05P-ST0-F02-BQ1	M12-A08P-ST0-F02-BQ1	M12-A12P-ST0-F02-BQ1	M12-A17P-ST0-F02-BQ1

G	NUT	NUT M16 X1.5,Brass With Nickel Plated	pcs	1	
F	O-Ring	O-Ring FKM Green	pcs	1	
E	Resin	Black epoxy resin for sealing	g	2	
D	O-Ring	O-Ring FKM Black	pcs	1	
C	Housing	A-Coding Female,Black PA66	pcs	1	
B	Terminal	Female Terminal ,Brass With Gold Plated	pcs	X	
A	Screw	Screw M12 X1.0,Brass With Nickel Plated	pcs	1	
编号 No.	料号 Materials.No	品名 Name	材料规格 Description	单位 Unit	用量 Qty

		慈溪市万捷电子有限公司 CIXI WANJIE ELECTRONIC CO., LTD				PART NO.: M12-AXXP-ST0-F02-BQ1			
		NO SPECIFIED TOLERANCE	Cus' P/N:	Order No.:	---	Drawing No.:	SP-02-M000XX	THIRD ANGLE PROJECTION	
LINEAR	0.5-6	±0.1	DES.	JUN	DATE	UNITS	mm		1 of 1
	6-30	±0.2	CHK.	DATE	SIZE	A4			
ANGLES	>30	±2%	APP.	DATE	SCALE	X:X	文件等级:外部公开		